

TURN-KEY INSTALLATION



Integrated Control Cabinet (ICC)

PRE-ENGINEERED INDUSTRIAL GRADE HARDWARE

SpotterRF Integrated Control Cabinets (ICCs) provide turn-key installation for SpotterRF radars, PTZ cameras, and more. They are designed and engineered to simplify the physical integration of SpotterRF solutions to save time and money on design and installation.

KEY FEATURES

- Local & remote power cycling
- Surge & overvoltage protection
- Industrial grade components
- Accessible network-controlled relay
- Accessible power terminals
- 120/240VAC electrical outlet (AC version only)
- 12+ inches of extra DIN rail space

KEY BENEFITS

- Save time & money on design and installation
- Reduce maintenance and RMA
- Power input flexibility
- Standardize every install
- Set up in only 5-10 minutes
- Install almost anywhere
- Extra year of warranty for all connected radars

Designed in conjunction with: 

FOR MORE INFORMATION, CONTACT:
sales@spotterrf.com
801-742-5849
spotterrf.com

PROTECTION BEYOND FENCES



TURN-KEY INSTALLATION

POWER AND NETWORK	SH-PLT-B-DC	SH-PLT-B-AC
POWER INPUT	24VDC 120VDC (with add-on)	120VAC 240VAC (with reconfiguration)
POWER OUTPUT	24VDC up to 240 W	24VAC up to 100 W 24VDC up to 240 W 120/240 VAC
NOMINAL POWER CONSUMPTION	8 W	15 W
NETWORK PORTS	8 (7 available)	8 (7 available)
PASSIVE POE PORTS (24VDC)	Up to 4	Up to 4
SUPPORTED SPOTTER RADARS	All A, C, & CK-Series	All A, C, & CK-Series

ADD-ON ITEMS	PART NUMBER
STEEL ENCLOSURE (16.00" x 14.00" x 10.00")	SH-ENC-STL-B
FIBERGLASS ENCLOSURE (16.05" x 14.27" x 8.13")	SH-ENC-FBG-B
CC8C Networked I/O Server	SH-ADD-CC8C
ACTIVE POE+ INJECTOR Add active PoE+ injector	SH-ADD-POE-AT
SWITCH – UNMANAGED 8-PORT Add extra unmanaged switch	SH-ADD-8PORT
SWITCH – MANAGED 8-PORT Upgrade unmanaged to managed switch	SH-UP-MAN-8PORT
120VDC TO 24VDC (DC plate only) Converts 120VDC input to 24VDC	SH-ADD-120DC
MEDIA CONVERTER Fiber to ethernet converter	SH-ADD-FIBER

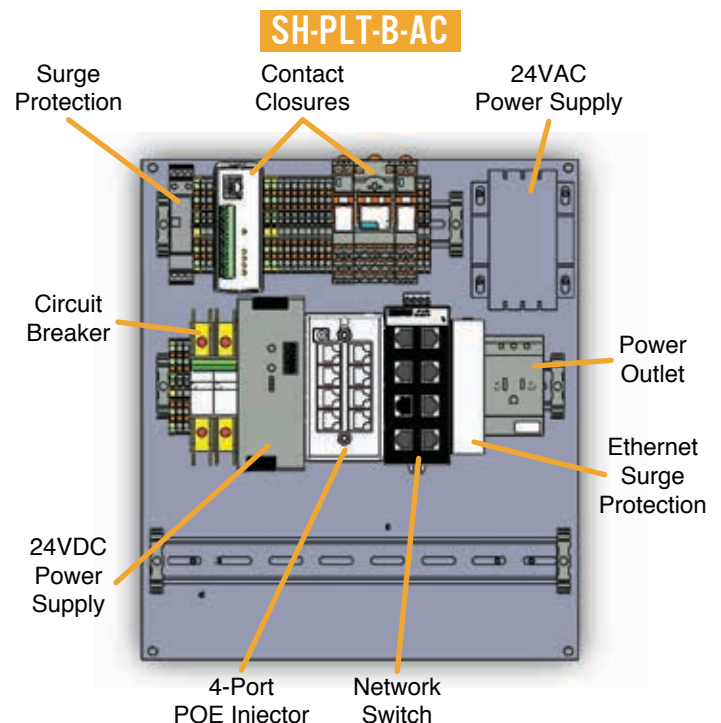
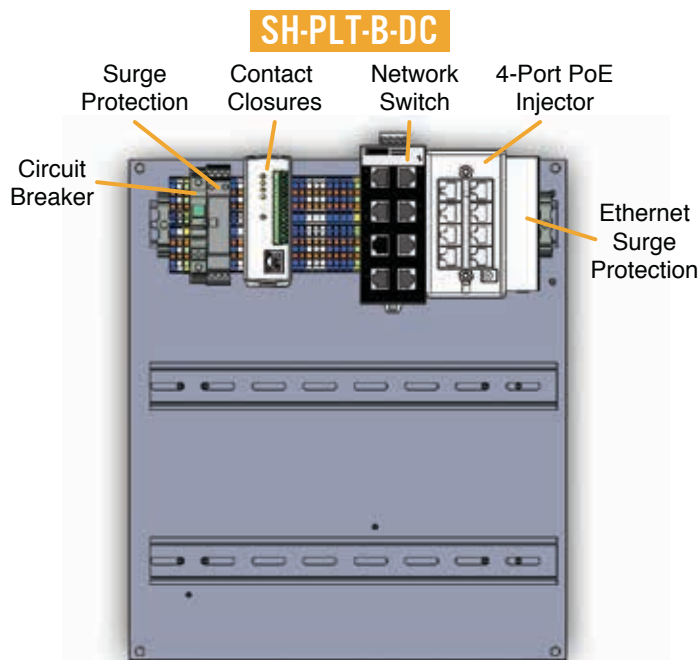
PHYSICAL PROPERTIES (PLATE ONLY)	
HEIGHT	14.75 in.
WIDTH	12.88 in.
DEPTH	5.25 in.
OPERATING TEMPERATURE	-25°C to 65°C

Every SpotterRF radar connected to a SpotterRF Integrated Control Cabinet receives an extra year of warranty at no extra charge.



SpotterRF Integrated Control Cabinet overview on YouTube

SpotterRF Integrated Control Cabinets (ICCs) integrate SpotterRF compact surveillance radars with other components such as PTZ cameras. They are turnkey systems that are able to easily integrate into existing security systems as well as operate as standalone systems. The Integrated Control Cabinets are an integral part of SpotterRF's solutions and provide physical integration of the components.



Each Integrated Control Cabinet (ICC) Plate comes with extra DIN rail space to give you flexibility to customize your system.

For more information contact

sales@spotterrf.com 801-742-5849

